

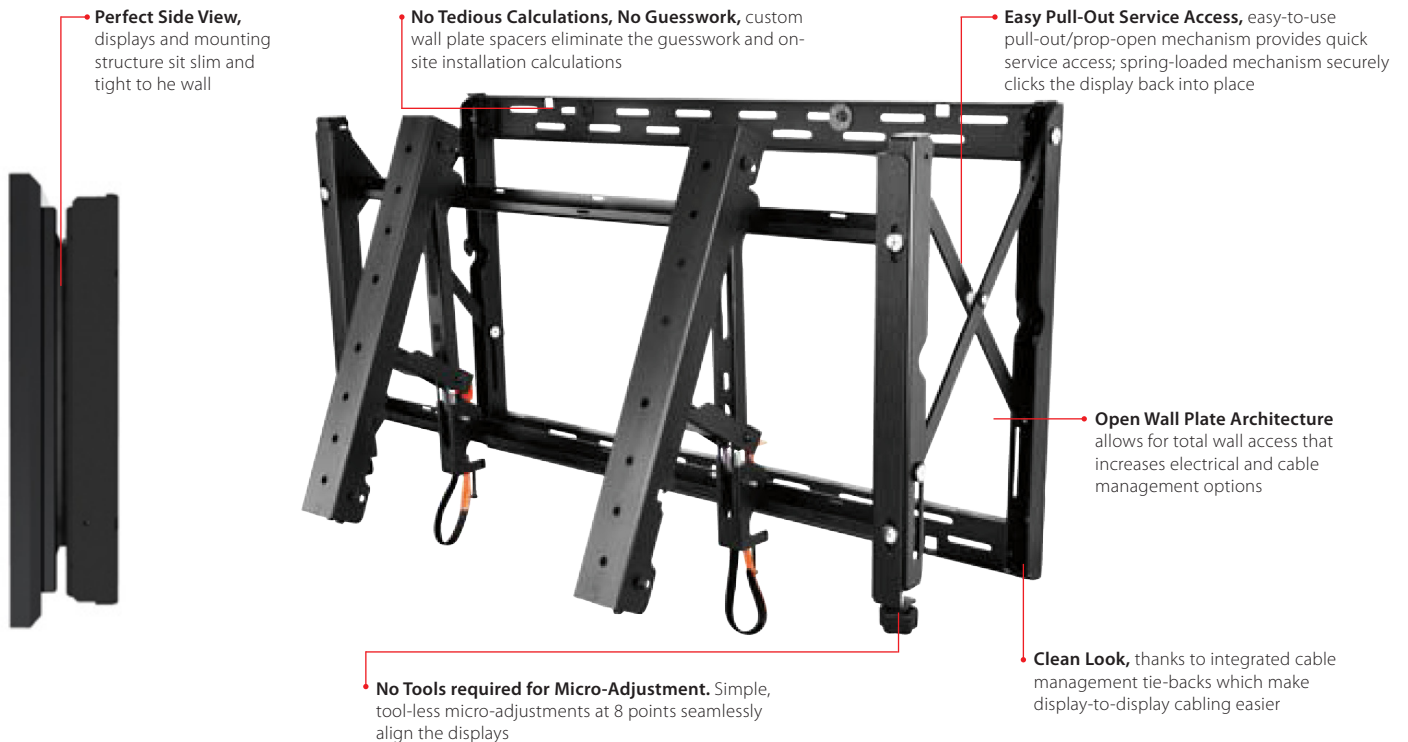
## ) EYE-WHLCD-FS-LAND

Front Access Option for  
eyevis LCD Displays up to 65"  
for Landscape Installation

### ) FULL-SERVICE VIDEO WALL MOUNT FOR 40" TO 65" DISPLAYS

Video Walls should be easy to configure, quick to install, and a snap to maintain. No, it's not a dream, it's the EYE-WHLCD-FS-LAND Full Service Video Mount from Peerless-AV. Create any configuration imaginable, but leave the math to the DS-VW765-LAND. Just install the first mount. Then use the customizable wall spacers to perfectly place each additional screen. No measuring, no guessing, no mistakes. It couldn't be easier. This innovative design combined with a mount that is ready-to-install right out of the box makes this the fastest installing video wall system ever. Now in a design that is 20% lighter than previous models and loaded with time saving features like no-tool-required micro-adjustments and easy-access to any display maintenance it's the ultimate Video Wall mounting solution.

### ) PRODUCT OVERVIEW



### ) THE ADVANTAGES AT A GLANCE

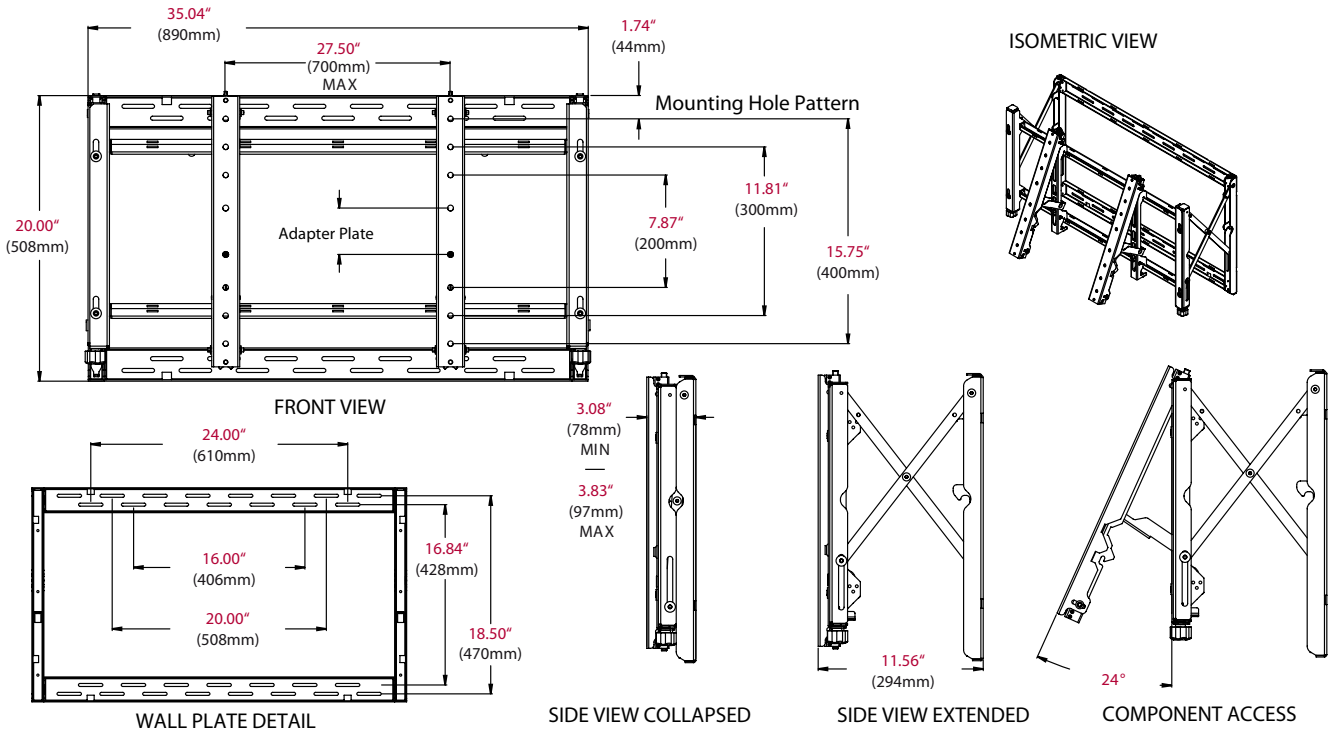
- ) **Modular mount** for unlimited video wall display configurations
- ) **Custom wall plate spacers** eliminate the guesswork and on-site installation calculations
- ) **Tool-less micro-adjustments** at 8 points seamlessly align the displays
- ) **Displays click securely** into place against the wall with spring-loaded mechanism
- ) **Displays and mounts sit flush against the wall** for a clean side appearance
- ) **Pull-out/prop-open mechanism** provides quick service access
- ) **Integrated cable management tie-backs** make display-to-display cabling simple
- ) **Included security hardware** prevents the mount from extending out from the wall
- ) **Adjustable VESA® mounting hole patterns** in 100mm increments, starting at 200 x 200mm up to 700 x 400mm, additional patterns supported with adapter plates

# ) EYE-WHLCD-FS-LAND



Front Access Option for  
eyevis LCD Displays up to 65"  
for Landscape Installation

## ) DIMENSIONS



## ) SPECIFICATIONS

Type:	EYE-WHLCD-FS-LAND
Description:	modular mount for unlimited video wall display configurations with front accessibility
Max. Load:	56.8kg (125lb)
Max. Display Sizes:	40 to 65 inch
Produkt Weight:	18kg (39lb)
Construction:	heavy gauge steel with scratch resistant black fused epoxy finish
Dimensions (WxHxD):	890 x 508 x 78-97mm (35.04" x 20" x 3.08"-3.83")
Article ID:	16626
Accessory:	Wall Plate Alignment Spacers (Spacer Kit customized to the Display Version)
Optional Accessory:	Cable Release Kit

eyevis GmbH

Hundsschleestr. 23 • 72766 Reutlingen • Germany  
Phone: + 49 (0) 7121 43303 - 0 • Fax: + 49 (0) 7121 43303 - 22  
www.eyevis.de • info@eyevis.de

As at: 24.07.2012/V2.2 • Subject to change!

All trademarks and registered trademarks are the property of their respective owners. Copyright © 2012 eyevis GmbH. All rights reserved.

